

Automatic Bridge Interface (ABI)

Cloud Video & Network Monitoring Services



Key Features

CLOUD VIDEO

- ◆ Activate cameras online in minutes
- ◆ Enhance the security of your customers' location
- ◆ Compatible with multiple manufacturers and hundreds of cameras
- ◆ Eliminates the need for port-forwarding
- ◆ Plug and Play Technology

NETWORK MONITORING

- ◆ Automatic discovery of network devices
- ◆ Monitor an unlimited number of IP devices
- ◆ Customized notifications by user via SMS and email
- ◆ Know device status every minute (Online, Trouble, Offline)

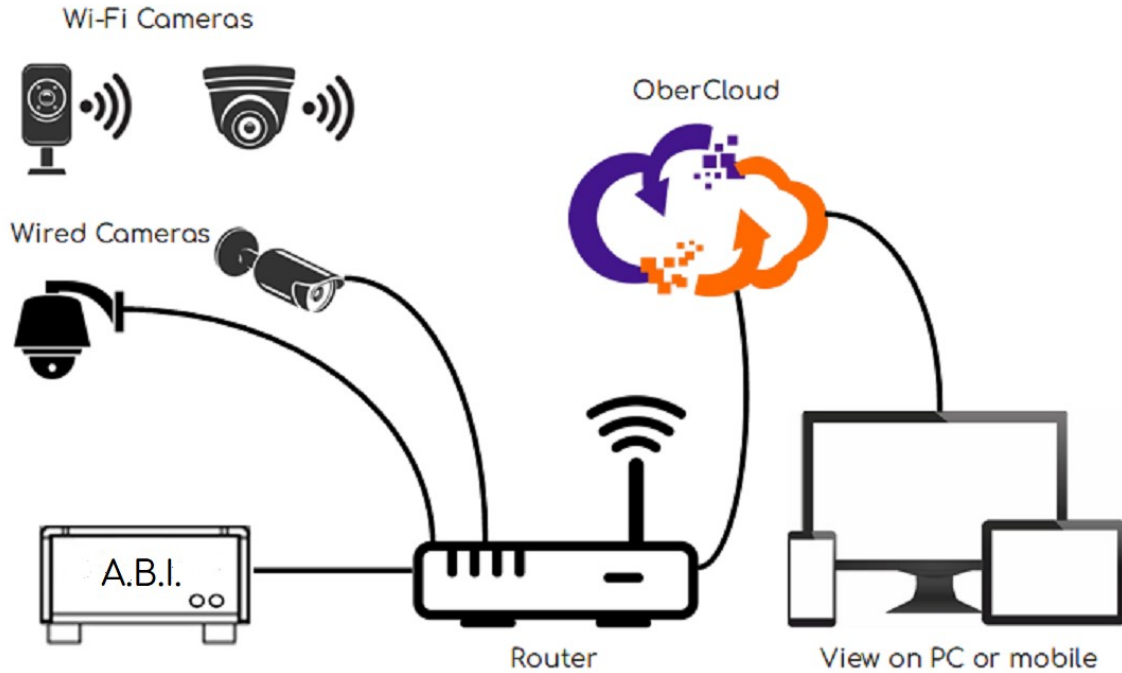
Provides an encrypted, end-to-end SSH connection that securely transmits video and data without the need to configure the local network or to open ports.

Put cameras on the OberCloud network safely and securely in minutes. No network configuration or port-forwarding is required. Simply connect an ethernet cable to the router, plug the ABI into power, and you're done. The ABI will automatically detect your cameras and connect them to the OberCloud network.

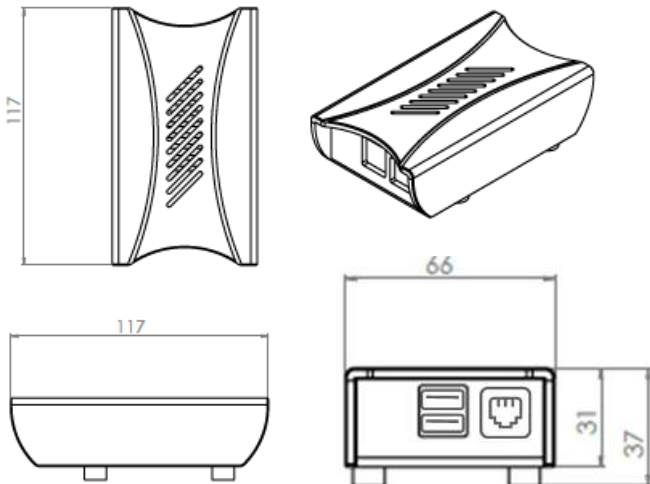
ABI also includes a Network Monitoring System that provides monitoring, remote connectivity, and notifications of an unlimited number of IP devices on your customers' LAN. This provides your customers with the peace of mind of knowing that their home technologies are working properly, and you with additional services to increase your RMR.



How It Works



Feature	ABI-V	ABI-N	ABI-C
Encrypted, end-to-end, SSH connection	•	•	•
Plug & Play Technology	•	•	•
Cloud Video Supported	•	NO	•
Camera Channels (maximum)	10	NONE	10
Network Monitoring Service	NO	•	•



Specifications

Data Security	AES-256 Encryption
Operating System	Linux
Memory	4GB LP DDR2
Connectivity	Gigabit Ethernet
Additional Connectivity	(2) USB 3.0 Ports (future use)
Operating Temperature	0°-50°C / 32°-122°F
Power	5VDC / 2.5A
Dimensions	117 x 66 x 37mm